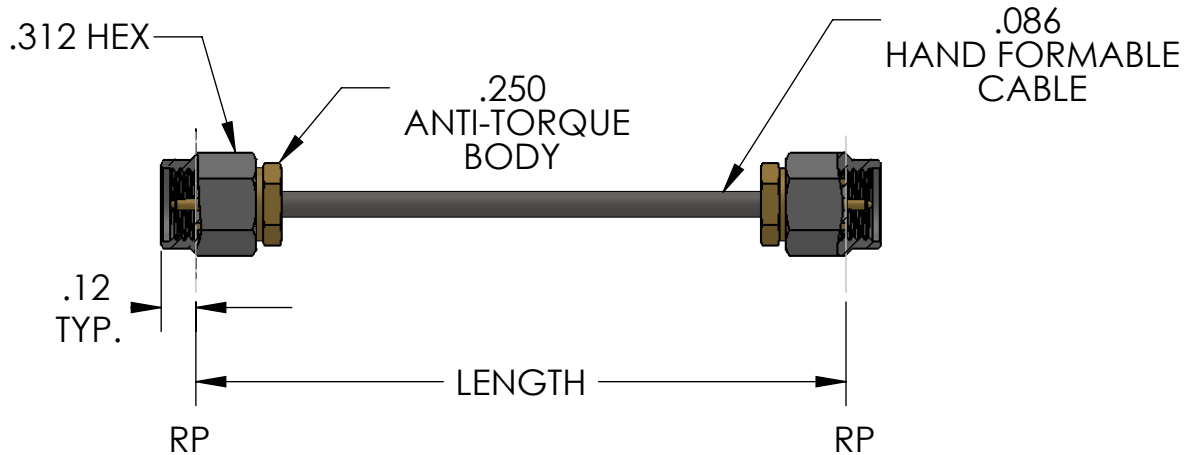


# HAND FORMABLE CABLE ASSEMBLIES

"TIN DIPPED SOLDER BRAID "

## SMA PLUG TO SMA PLUG HAND FORMABLE CABLE



LENGTH INFORMATION:	LENGTH TOLERANCE (IN INCHES)	2-5.9 ±0.050
PART NUMBER EXAMPLE:	XX.X = LENGTH IN INCHES	6-12 ±0.100
12 INCH CABLE ASSEMBLY	AL12-CC086-AL12-12.0	12-24 ±0.150

### ELECTRICAL PERFORMANCE

NOMINAL IMPEDANCE	50Ω
FREQUENCY	DC-20GHz
ASSEMBLY VSWR	1.35:1 @ 18GHz
ASSEMBLY INSERTION LOSS	0.29dB/FT*(√GHz)
INSULATION RESISTANCE	1000 MEGOHMS
DWV	1000 VOLTS MIN.

### MECHANICAL CHARACTERISTICS

MAX CABLE DIAMETER	.090 INCH
MIN BEND RADIUS	0.125 INCH
CABLE RETENTION	30 Lbs MIN.
OPERATING RANGE	-55/125° C
MATING TORQUE	8 INCH Lbs NOM.
INTERFACE	MIL-STD 348 310.1

### MATERIALS SPECIFICATIONS

CABLE OUTER CONDUCTOR	COPPER BRAID, TIN DIPPED
CABLE DIELECTRIC	SOLID PTFE
CABLE CENTER CONDUCTOR	SPCW
CONNECTOR BODY	BRASS WITH GOLD PLATE OVER NICKEL PLATE
COUPLING NUT	303 STAINLESS STEEL, PASSIVATED
INSULATORS	SOLID PTFE
CONTACTS	BeCu WITH GOLD PLATE OVER NICKEL PLATE
GASKETS	SILICONE RUBBER
MARKERS AS REQUIRED	POLYOLEFIN HEAT SHRINK STD.

MADE IN THE U.S.A. 

DWG. **AL12-CC086-AL12-XX.X**

REV.  
**A**

**KOAXIS, Inc.**  
Coaxial Cable Assemblies and Connectors