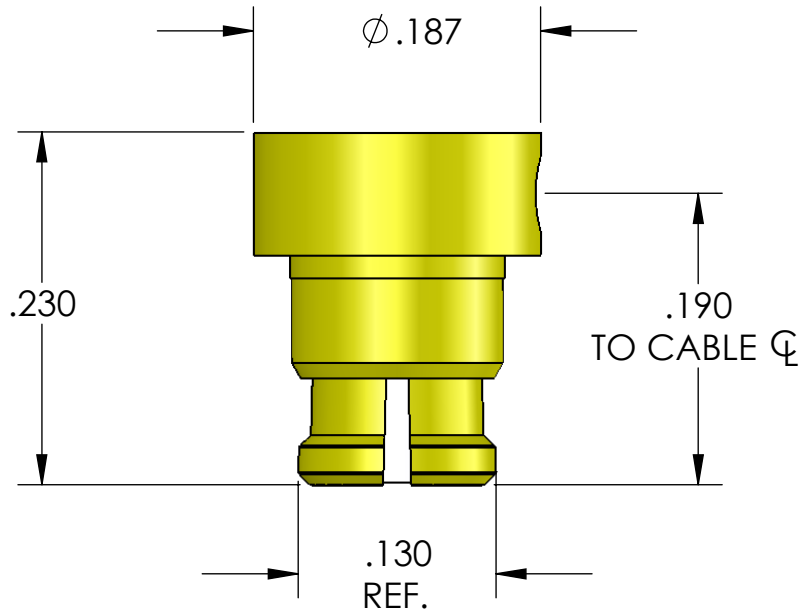


CONNECTOR SPECIFICATION

SMP RIGHT ANGLE FEMALE



PART NUMBER	CABLE
SO20	047 SEMI-RIGID

ELECTRICAL PERFORMANCE

MECHANICAL CHARACTERISTICS

NOMINAL IMPEDANCE	50 OHMS
FREQUENCY RANGE	DC-26.5 GHZ
VSWR DC TO 18 GHZ	1.2:1
VSWR 18 TO 26.5 GHZ	1.25:1
INSERTION LOSS	.03√F (GHz) dB MAX
DWV	1000 VOLTS
INSULATION RESISTANCE	5000 MILLIOHMS MIN

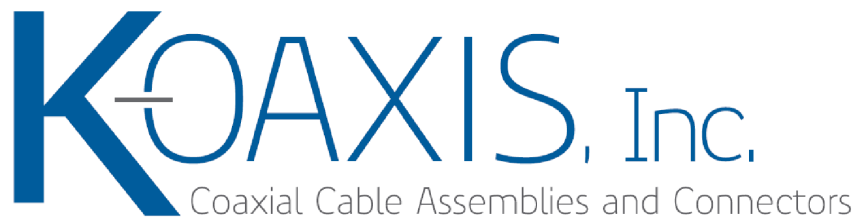
FORCE TO ENGAGE (FULL DETENT)	9 LBS TYP.
FORCE TO DISENGAGE (FULL DETENT)	7 LBS TYP.
MATE DEMATE CYCLES (FULL DETENT)	100 MIN.
CABLE RETENTION	20 LBS MIN
MASS	0.38 GRAMS

MATERIALS

BODY	BERYLLIUM COPPER, GOLD OVER NICKEL PLATE
CONTACT	BERYLLIUM COPPER, GOLD OVER NICKEL PLATE
INSULATOR	PTFE

**MADE IN THE U.S.A.**

DIMENSIONS  
INCH  
(METRIC)  
UNLESS OTHERWISE NOTED  
X.XX ± .01 INCHES  
X.XXX ± .005 INCHES  
DEGREES ± 1°



REV.

A